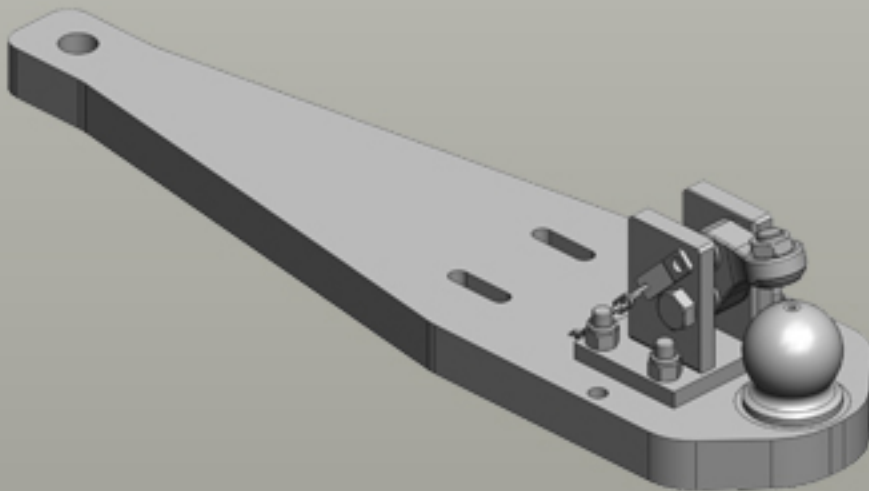
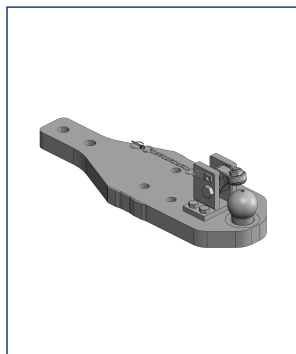




Heavy Duty Drawbars Claas | Arion 600 (A96/A97)



Heavy Duty Drawbars



Art.Nr. 00.960.440.0-A29 Heavy Duty Drawbars Standard	
K80® Ball Coupling System	
• fits to Scharmüller Ladder-Hitch with Drawbar Frame	
Alternative color	
00.960.440.0-A29 (Claas-Grey)	
Technical Values*	
Working Length (mm): 142 Lenght (mm): 770 Wide (mm): 258 Assembly-Positions: 2 Thickness (mm): 50 Locking: K80® Manual Max. Permissible D-Value (kN): 89,3 Max. Permissible Vertical Load (kg): 4000	
Adapted for Tractor	
Claas:	Arion 500 (A34/A35): 530, 540, 550; Arion 500 (A74/A75): 510, 530, 540, 550; Arion 500 (A94/A95): 510, 530, 550; Arion 600 (A36/A37): 620, 630, 640, 650; Arion 600 (A76/A77): 610, 620, 630, 640, 650, 660; Arion 600 (A96/A97): 610, 630, 650, 660;
Massey Ferguson:	6600 Dyna-6: 6613, 6614, 6615, 6616; 6700 S Dyna-6: 6713, 6714, 6715, 6716, 6718; 7600 Dyna-6: 7615, 7616, 7618; 7700 Dyna-6: 7715, 7716, 7718;