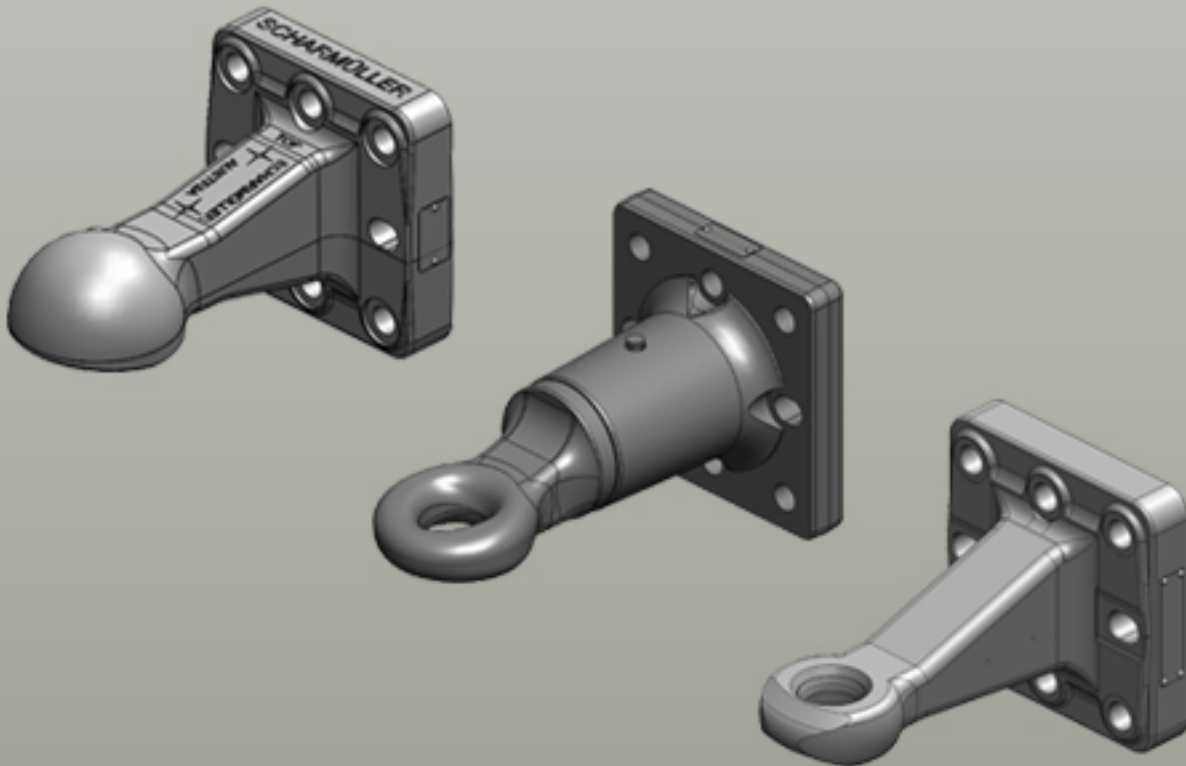


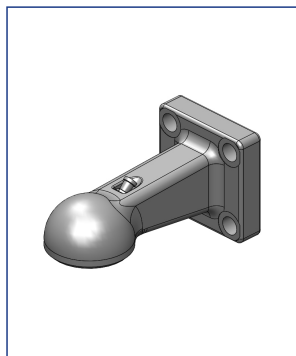


Towing Eyes | Flange

K50 Towing Eye Ball-Coupling System



Towing Eyes | Flange



Art.Nr. 00.649.00.0-A01 | Towing Eyes | Flange

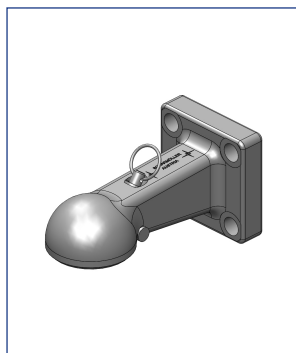
K50 Towing Eye Ball-Coupling System |

Alternative color

00.649.00.0-A01 (Black-Primer)

Technical Values*

Flange Hole Pattern (mm): 72x72 | **Thread:** M16 | **Hole Pattern Holes:** 4 | **Flange Alignment:** Vertical |
Working Length (mm): 157 | **Max. Permissible D-Value (kN):** 26,7 | **Max. Permissible Vertical Load (kg):** 750 |
Approval Status: ABG General Type Approval



Art.Nr. 00.649.01.0-A02 | Towing Eyes | Flange

K50 Towing Eye Ball-Coupling System |

Alternative color

00.649.01.0-A02 (Black)

Technical Values*

Flange Hole Pattern (mm): 72x72 | **Thread:** M16 | **Hole Pattern Holes:** 4 | **Flange Alignment:** Vertical |
Working Length (mm): 157 | **Max. Permissible D-Value (kN):** 26,7 | **Max. Permissible Vertical Load (kg):** 750 |
Approval Status: ABG General Type Approval