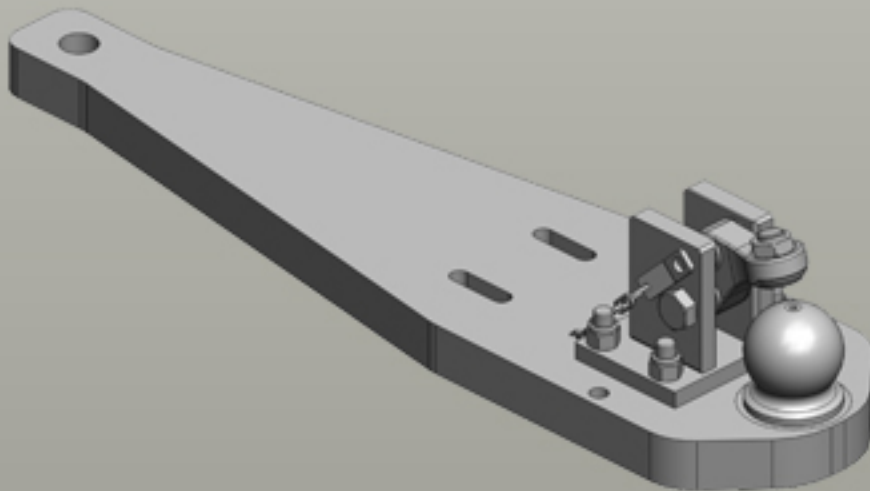
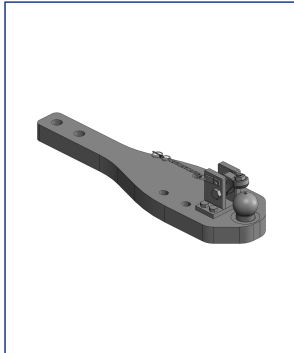




Heavy Duty Drawbars Claas | Axion 900 (A44)



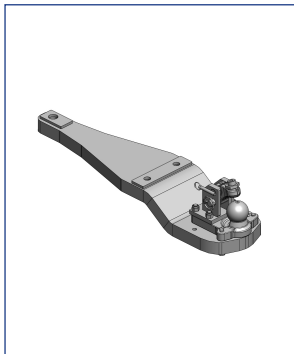
Heavy Duty Drawbars



Art.Nr. 00.960.446.0-A29 Heavy Duty Drawbars Standard	
K80® Ball Coupling System	
• fits to Scharmüller Ladder-Hitch with Drawbar Frame	
Alternative color	
00.960.446.0-A29 (Claas-Grey)	
Technical Values*	
Lenght (mm): 940 Wide (mm): 260 Assembly-Positions: 2 Thickness (mm): 60 Locking: K80® Manual Max. Permissible D-Value (kN): 118 Max. Permissible Vertical Load (kg): 4000	
Adapted for Tractor	
Claas: Axion 900 (A44): 920, 930, 940, 950, 960;	



Art.Nr. 00.961.446.0-A29 Heavy Duty Drawbars Standard	
Draw-Pin (Pitonfix)	
• fits to Scharmüller Ladder-Hitch with Drawbar Frame	
Alternative color	
00.961.446.0-A29 (Claas-Grey)	
Technical Values*	
Lenght (mm): 842 Wide (mm): 200 Assembly-Positions: 1 Thickness (mm): 60 Locking: Draw Pin (Pitonfix) Manual Max. Permissible D-Value (kN): 118 Max. Permissible Vertical Load (kg): 3000	
Adapted for Tractor	
Claas: Axion 900 (A44): 920, 930, 940, 950, 960;	



Art.Nr. 00.964.446.0-A29 Heavy Duty Drawbars Standard	
K80® Ball Coupling System	
• fits to Scharmüller Ladder-Hitch with Drawbar Frame	
Alternative color	
00.964.446.0-A29 (Claas-Grey)	
Technical Values*	
Lenght (mm): 1040 Wide (mm): 260 Assembly-Positions: 1 Thickness (mm): 50 Locking: K80® Manual Max. Permissible D-Value (kN): 91,3 Max. Permissible Vertical Load (kg): 3000 Offset: to the Bottom	
Adapted for Tractor	
Claas: Axion 900 (A44): 920, 930, 940, 950;	