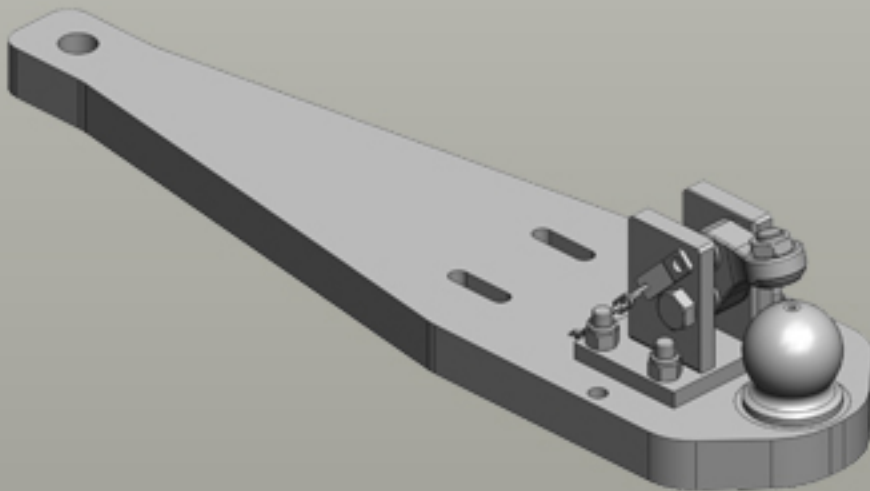






Heavy Duty Drawbars Claas | Axion 800 (A60/A61)



Heavy Duty Drawbars

| | |
|---|---|
|  | <p>Art.Nr. 00.960.447.1-A29 Heavy Duty Drawbars Standard K80® Ball Coupling System </p> <ul style="list-style-type: none"> fits to Scharmüller Ladder-Hitch with Drawbar Frame <p>Alternative color </p> <p>00.960.447.1-A29 (Claas-Grey)</p> <p>Technical Values*</p> <p>Lenght (mm): 770 Wide (mm): 260 Assembly-Positions: 2 Thickness (mm): 50 Locking: K80® Manual Max. Permissible D-Value (kN): 117 Max. Permissible Vertical Load (kg): 4000</p> <p>Adapted for Tractor</p> <p>Claas: Axion 800 (A30/A31): 810, 820, 830, 840, 850; Axion 800 (A40/A41): 800, 810, 820, 830, 840, 850, 870; Axion 800 (A60/A61): 800, 810, 820, 830, 840, 850, 870;</p> |
|  | <p>Art.Nr. 00.961.447.0-A29 Heavy Duty Drawbars Standard Draw-Pin (Pitonfix) </p> <ul style="list-style-type: none"> fits to Scharmüller Ladder-Hitch with Drawbar Frame <p>Alternative color </p> <p>00.961.447.0-A29 (Claas-Grey)</p> <p>Technical Values*</p> <p>Lenght (mm): 670 Wide (mm): 185 Assembly-Positions: 1 Thickness (mm): 50 Locking: Draw Pin (Pitonfix) Manual Max. Permissible D-Value (kN): 117 Max. Permissible Vertical Load (kg): 3000</p> <p>Adapted for Tractor</p> <p>Claas: Axion 800 (A30/A31): 810, 820, 830, 840, 850; Axion 800 (A40/A41): 800, 810, 820, 830, 840, 850, 870; Axion 800 (A60/A61): 800, 810, 820, 830, 840, 850, 870;</p> |
|  | <p>Art.Nr. 00.964.447.0-A29 Heavy Duty Drawbars Standard K80® Ball Coupling System </p> <ul style="list-style-type: none"> fits to Scharmüller Ladder-Hitch with Drawbar Frame <p>Alternative color </p> <p>00.964.447.0-A29 (Claas-Grey)</p> <p>Technical Values*</p> <p>Lenght (mm): 933 Wide (mm): 258 Assembly-Positions: 2 Thickness (mm): 50 Locking: K80® Manual Max. Permissible D-Value (kN): 91,3 Max. Permissible Vertical Load (kg): 3000 Offset: to the Bottom</p> <p>Adapted for Tractor</p> <p>Claas: Axion 800 (A30/A31): 810, 820, 830, 840, 850; Axion 800 (A40/A41): 800, 810, 820, 830, 840, 850, 870; Axion 800 (A60/A61): 800, 810, 820, 830, 840, 850, 870;</p> |