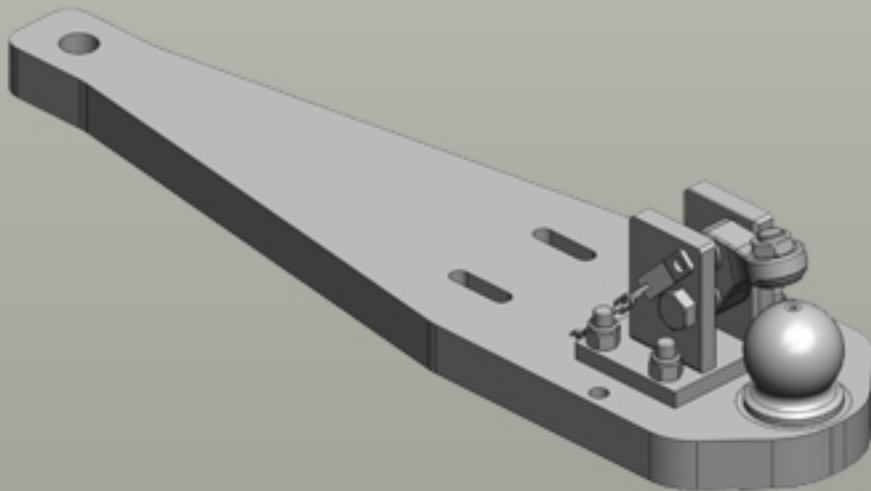
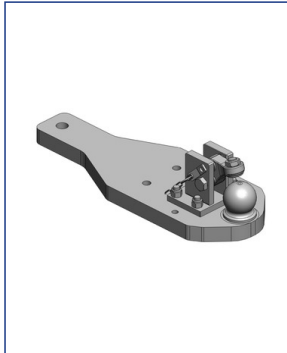




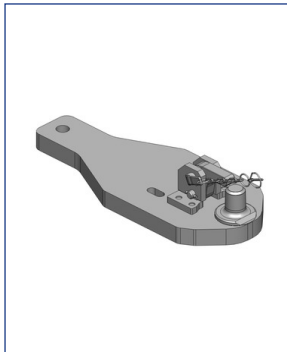
Heavy Duty Drawbars Claas | Arion 400 (A21)



Heavy Duty Drawbars



Art.Nr. 00.960.647.0-A11 Heavy Duty Drawbars Standard	
K80® Ball Coupling System	
• fits up from Chassis-Number: B150020 at MF 5425-5480 • fits to Scharmüller Ladder-Hitch with Drawbar Frame	
Alternative color	
00.960.647.0-A11 (AGCO-Grey)	
Technical Values*	
Lenght (mm): 646 Wide (mm): 250 Assembly-Positions: 1 Thickness (mm): 40 Locking: K80® Manual Max. Permissible D-Value (kN): 67,6 Max. Permissible Vertical Load (kg): 3000	
Adapted for Tractor	
Claas:	Arion 400 (A21): 410, 420, 430, 440, 450, 460; Arion 500 (A18): 510, 520, 530, 540; Arion 600 (A19/A20): 610, 620, 630, 640;
Massey Ferguson:	5400: 5425, 5435, 5445, 5455, 5460, 5465, 5470, 5475, 5480; 6600 Dyna-4: 6612, 6613, 6615; 7600 Dyna-4: 7614, 7615; 7700 Dyna-4: 7714, 7715;



Art.Nr. 00.961.645.0-A11 Heavy Duty Drawbars Standard	
Draw-Pin (Pitonfix)	
• fits up from Chassis-Number: B150020 at MF 5425-5480 • fits to Scharmüller Ladder-Hitch with Drawbar Frame	
Alternative color	
00.961.645.0-A11 (AGCO-Grey) 00.961.645.0-A29 (Claas-Grey)	
Technical Values*	
Lenght (mm): 613 Wide (mm): 250 Assembly-Positions: 1 Thickness (mm): 40 Locking: Draw Pin (Pitonfix) Manual Max. Permissible D-Value (kN): 67,6 Max. Permissible Vertical Load (kg): 3000	
Adapted for Tractor	
Claas:	Arion 400 (A21): 410, 420, 430, 440, 450, 460; Arion 500 (A18): 510, 520, 530, 540; Arion 600 (A19/A20): 610, 620, 630, 640;
Massey Ferguson:	5400: 5425, 5435, 5445, 5455, 5460, 5465, 5470, 5475, 5480; 6600 Dyna-4: 6612, 6613, 6615; 7600 Dyna-4: 7614, 7615; 7700 Dyna-4: 7714, 7715;