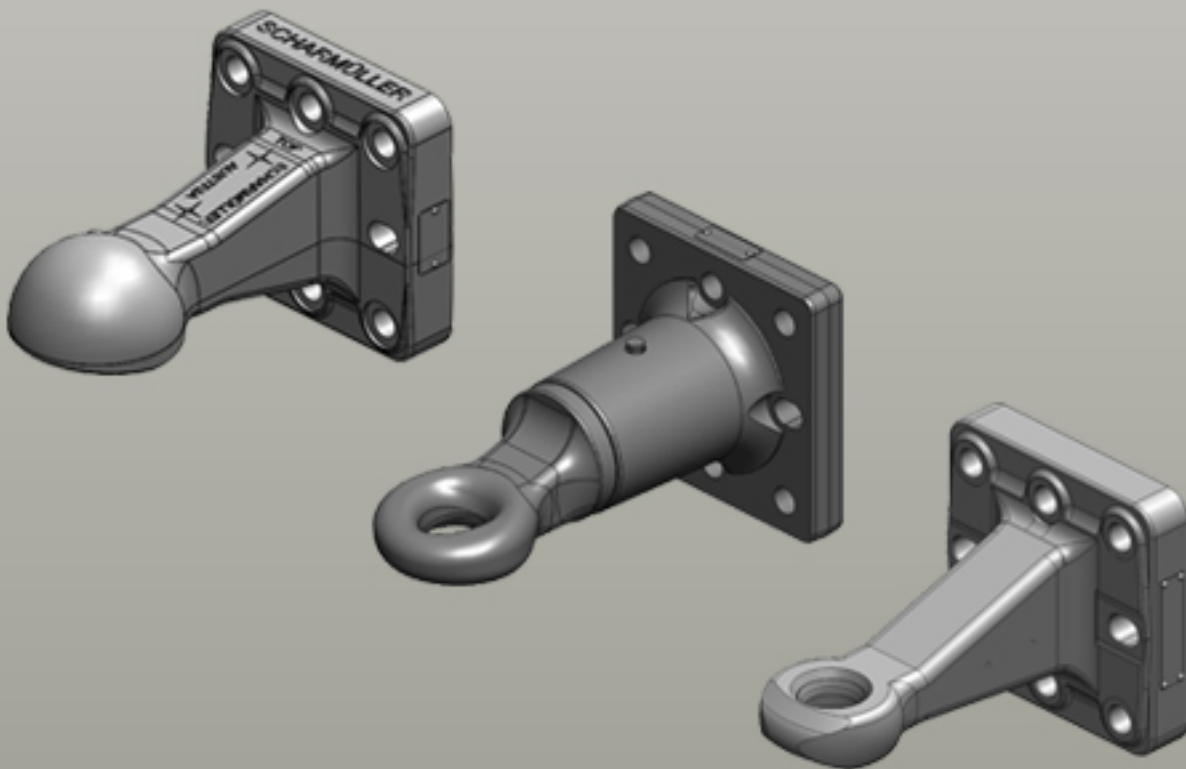




# Towing Eyes | Flange

Ball Joint Towing Eye Cat. 2 D033mm | Ball Joint Towing Eye Cat. 3 D039mm | Ball Joint Towing Eye Cat. 3 D042mm | Ball Joint Towing Eye Cat. 4 D051mm | Ball Joint Towing Eye Cat. 5 D071mm



## Towing Eyes | Flange

	<p><b>Art.Nr. 00.650.17.1-A02   Towing Eyes   Flange</b>                      Ball Joint Towing Eye Cat. 4 DØ51mm  </p> <p><b>Alternative color</b> </p> <p>00.650.17.1-A02 (Black )</p> <p><b>Technical Values*</b></p> <p><b>Flange Hole Pattern (mm):</b> 180x205   <b>Thread:</b> M20   <b>Hole Pattern Holes:</b> 8   <b>Flange Alignment:</b> Vertical   <b>Working Length (mm):</b> 245   <b>Max. Permissible D-Value (kN):</b> 82   <b>Max. Permissible Vertical Load (kg):</b> 3000   <b>Approval Status:</b></p>
	<p><b>Art.Nr. 00.652.151.1-A02   Towing Eyes   Flange</b>                      Ball Joint Towing Eye Cat. 2 DØ33mm  </p> <p><b>Alternative color</b> </p> <p>00.652.151.1-A02 (Black )</p> <p><b>Technical Values*</b></p> <p><b>Flange Hole Pattern (mm):</b> 110x100   <b>Thread:</b> M16   <b>Hole Pattern Holes:</b> 8   <b>Flange Alignment:</b> Vertical   <b>Working Length (mm):</b> 173   <b>Max. Permissible D-Value (kN):</b> 89,3   <b>Max. Permissible Vertical Load (kg):</b> 3000   <b>Approval Status:</b> VO (EU) 2015/208</p>
	<p><b>Art.Nr. 00.652.161.1-A02   Towing Eyes   Flange</b>                      Ball Joint Towing Eye Cat. 3 DØ42mm  </p> <p><b>Alternative color</b> </p> <p>00.652.161.1-A02 (Black )</p> <p><b>Technical Values*</b></p> <p><b>Flange Hole Pattern (mm):</b> 110x100   <b>Thread:</b> M16   <b>Hole Pattern Holes:</b> 8   <b>Flange Alignment:</b> Vertical   <b>Working Length (mm):</b> 173   <b>Max. Permissible D-Value (kN):</b> 89,3   <b>Max. Permissible Vertical Load (kg):</b> 3000   <b>Approval Status:</b> VO (EU) 2015/208</p>
	<p><b>Art.Nr. 00.652.171.1-A02   Towing Eyes   Flange</b>                      Ball Joint Towing Eye Cat. 4 DØ51mm  </p> <p><b>Alternative color</b> </p> <p>00.652.171.1-A02 (Black )</p> <p><b>Technical Values*</b></p> <p><b>Flange Hole Pattern (mm):</b> 110x100   <b>Thread:</b> M16   <b>Hole Pattern Holes:</b> 8   <b>Flange Alignment:</b> Vertical   <b>Working Length (mm):</b> 173   <b>Max. Permissible D-Value (kN):</b> 89,3   <b>Max. Permissible Vertical Load (kg):</b> 3000   <b>Approval Status:</b> VO (EU) 2015/208</p>
	<p><b>Art.Nr. 00.652.181.1-A02   Towing Eyes   Flange</b>                      Ball Joint Towing Eye Cat. 5 DØ71mm  </p> <p><b>Alternative color</b> </p> <p>00.652.181.1-A02 (Black )</p> <p><b>Technical Values*</b></p> <p><b>Flange Hole Pattern (mm):</b> 110x100   <b>Thread:</b> M16   <b>Hole Pattern Holes:</b> 8   <b>Flange Alignment:</b> Vertical   <b>Working Length (mm):</b> 173   <b>Max. Permissible D-Value (kN):</b> 89,3   <b>Max. Permissible Vertical Load (kg):</b> 3000   <b>Approval Status:</b> VO (EU) 2015/208</p>




## Towing Eyes | Flange

	<p><b>Art.Nr. 00.654.151.0-A02   Towing Eyes   Flange</b>  Ball Joint Towing Eye Cat. 2 DØ33mm  </p> <p><b>Alternative color</b> </p> <p>00.654.151.0-A02 (Black )</p> <p><b>Technical Values*</b></p> <p><b>Flange Hole Pattern (mm):</b> 145x145   <b>Thread:</b> M20   <b>Hole Pattern Holes:</b> 8   <b>Flange Alignment:</b> Vertical   <b>Working Length (mm):</b> 250   <b>Max. Permissible D-Value (kN):</b> 120,2   <b>Max. Permissible Vertical Load (kg):</b> 3000   <b>Approval Status:</b> VO (EU) 2015/208</p>
	<p><b>Art.Nr. 00.654.161.0-A02   Towing Eyes   Flange</b>  Ball Joint Towing Eye Cat. 3 DØ42mm  </p> <p><b>Alternative color</b> </p> <p>00.654.161.0-A02 (Black )</p> <p><b>Technical Values*</b></p> <p><b>Flange Hole Pattern (mm):</b> 145x145   <b>Thread:</b> M20   <b>Hole Pattern Holes:</b> 8   <b>Flange Alignment:</b> Vertical   <b>Working Length (mm):</b> 250   <b>Max. Permissible D-Value (kN):</b> 120,2   <b>Max. Permissible Vertical Load (kg):</b> 3000   <b>Approval Status:</b> VO (EU) 2015/208</p>
	<p><b>Art.Nr. 00.654.171.0-A02   Towing Eyes   Flange</b>  Ball Joint Towing Eye Cat. 4 DØ51mm  </p> <p><b>Alternative color</b> </p> <p>00.654.171.0-A02 (Black )</p> <p><b>Technical Values*</b></p> <p><b>Flange Hole Pattern (mm):</b> 145x145   <b>Thread:</b> M20   <b>Hole Pattern Holes:</b> 8   <b>Flange Alignment:</b> Vertical   <b>Working Length (mm):</b> 250   <b>Max. Permissible D-Value (kN):</b> 120,2   <b>Max. Permissible Vertical Load (kg):</b> 3000   <b>Approval Status:</b> VO (EU) 2015/208</p>
	<p><b>Art.Nr. 00.654.181.0-A02   Towing Eyes   Flange</b>  Ball Joint Towing Eye Cat. 5 DØ71mm  </p> <p><b>Alternative color</b> </p> <p>00.654.181.0-A02 (Black )</p> <p><b>Technical Values*</b></p> <p><b>Flange Hole Pattern (mm):</b> 145x145   <b>Thread:</b> M20   <b>Hole Pattern Holes:</b> 8   <b>Flange Alignment:</b> Vertical   <b>Working Length (mm):</b> 250   <b>Max. Permissible D-Value (kN):</b> 120,2   <b>Max. Permissible Vertical Load (kg):</b> 3000   <b>Approval Status:</b> VO (EU) 2015/208</p>
	<p><b>Art.Nr. 00.659.15.0-A02   Towing Eyes   Flange</b>  Ball Joint Towing Eye Cat. 2 DØ33mm  </p> <p><b>Alternative color</b> </p> <p>00.659.15.0-A02 (Black )</p> <p><b>Technical Values*</b></p> <p><b>Flange Hole Pattern (mm):</b> 70x70   <b>Thread:</b> M24   <b>Hole Pattern Holes:</b> 4   <b>Flange Alignment:</b> Horizontal   <b>Working Length (mm):</b> 125   <b>Max. Permissible D-Value (kN):</b> 70   <b>Max. Permissible Vertical Load (kg):</b> 2000   <b>Approval Status:</b></p>

## Towing Eyes | Flange

	<p><b>Art.Nr. 00.659.16.0-A02   Towing Eyes   Flange</b>            Ball Joint Towing Eye Cat. 3 DØ39mm  </p> <p><b>Alternative color</b>             00.659.16.0-A02 (Black )</p> <p><b>Technical Values*</b></p> <p><b>Flange Hole Pattern (mm):</b> 70x70   <b>Thread:</b> M24   <b>Hole Pattern Holes:</b> 4   <b>Flange Alignment:</b> Horizontal   <b>Working Length (mm):</b> 125   <b>Max. Permissible D-Value (kN):</b> 97,1   <b>Max. Permissible Vertical Load (kg):</b> 3000</p>
	<p><b>Art.Nr. 00.659.17.0-A02   Towing Eyes   Flange</b>            Ball Joint Towing Eye Cat. 4 DØ51mm  </p> <p><b>Alternative color</b>             00.659.17.0-A02 (Black )</p> <p><b>Technical Values*</b></p> <p><b>Flange Hole Pattern (mm):</b> 70x70   <b>Thread:</b> M24   <b>Hole Pattern Holes:</b> 4   <b>Flange Alignment:</b> Horizontal   <b>Working Length (mm):</b> 125   <b>Max. Permissible D-Value (kN):</b> 97,1   <b>Max. Permissible Vertical Load (kg):</b> 3000   <b>Approval Status:</b></p>
	<p><b>Art.Nr. 00.659.18.0-A02   Towing Eyes   Flange</b>            Ball Joint Towing Eye Cat. 5 DØ71mm  </p> <p><b>Alternative color</b>             00.659.18.0-A02 (Black )</p> <p><b>Technical Values*</b></p> <p><b>Flange Hole Pattern (mm):</b> 70x70   <b>Thread:</b> M24   <b>Hole Pattern Holes:</b> 4   <b>Flange Alignment:</b> Horizontal   <b>Working Length (mm):</b> 125   <b>Max. Permissible D-Value (kN):</b> 97,1   <b>Max. Permissible Vertical Load (kg):</b> 3000   <b>Approval Status:</b></p>
	<p><b>Art.Nr. 00.664.17.1-A02   Towing Eyes   Flange</b>            Ball Joint Towing Eye Cat. 4 DØ51mm  </p> <p><b>Alternative color</b>             00.664.17.1-A02 (Black )</p> <p><b>Technical Values*</b></p> <p><b>Flange Hole Pattern (mm):</b> 120x120   <b>Thread:</b> M20   <b>Hole Pattern Holes:</b> 4   <b>Flange Alignment:</b> Vertical   <b>Working Length (mm):</b> 245   <b>Max. Permissible D-Value (kN):</b> 76,3   <b>Max. Permissible Vertical Load (kg):</b> 2500</p>
	<p><b>Art.Nr. 00.665.15.0-A02   Towing Eyes   Flange</b>            Ball Joint Towing Eye Cat. 2 DØ33mm  </p> <p><b>Alternative color</b>             00.665.15.0-A02 (Black )</p> <p><b>Technical Values*</b></p> <p><b>Flange Hole Pattern (mm):</b> 160x160   <b>Thread:</b> M20   <b>Hole Pattern Holes:</b> 12   <b>Flange Alignment:</b> Vertical   <b>Working Length (mm):</b> 250   <b>Max. Permissible D-Value (kN):</b> 120   <b>Max. Permissible Vertical Load (kg):</b> 3000   <b>Approval Status:</b> VO (EU) 2015/208</p>

## Towing Eyes | Flange

	<p><b>Art.Nr. 00.665.16.0-A02   Towing Eyes   Flange</b>  Ball Joint Towing Eye Cat. 3 DØ42mm  </p> <p><b>Alternative color</b> </p> <p>00.665.16.0-A02 (Black )</p> <p><b>Technical Values*</b></p> <p><b>Flange Hole Pattern (mm):</b> 160x160   <b>Thread:</b> M20   <b>Hole Pattern Holes:</b> 12   <b>Flange Alignment:</b> Vertical    <b>Working Length (mm):</b> 250   <b>Max. Permissible D-Value (kN):</b> 120   <b>Max. Permissible Vertical Load (kg):</b> 3000    <b>Approval Status:</b> VO (EU) 2015/208</p>
	<p><b>Art.Nr. 00.665.17.1-A02   Towing Eyes   Flange</b>  Ball Joint Towing Eye Cat. 4 DØ51mm  </p> <p><b>Alternative color</b> </p> <p>00.665.17.1-A02 (Black )</p> <p><b>Technical Values*</b></p> <p><b>Flange Hole Pattern (mm):</b> 160x160   <b>Thread:</b> M20   <b>Hole Pattern Holes:</b> 12   <b>Flange Alignment:</b> Vertical    <b>Working Length (mm):</b> 246   <b>Max. Permissible D-Value (kN):</b> 120,2   <b>Max. Permissible Vertical Load (kg):</b> 3000    <b>Approval Status:</b> VO (EU) 2015/208</p>
	<p><b>Art.Nr. 00.665.18.1-A02   Towing Eyes   Flange</b>  Ball Joint Towing Eye Cat. 5 DØ71mm  </p> <p><b>Alternative color</b> </p> <p>00.665.18.1-A02 (Black )</p> <p><b>Technical Values*</b></p> <p><b>Flange Hole Pattern (mm):</b> 160x160   <b>Thread:</b> M20   <b>Hole Pattern Holes:</b> 12   <b>Flange Alignment:</b> Vertical    <b>Working Length (mm):</b> 246   <b>Max. Permissible D-Value (kN):</b> 120,2   <b>Max. Permissible Vertical Load (kg):</b> 3000    <b>Approval Status:</b> VO (EU) 2015/208</p>